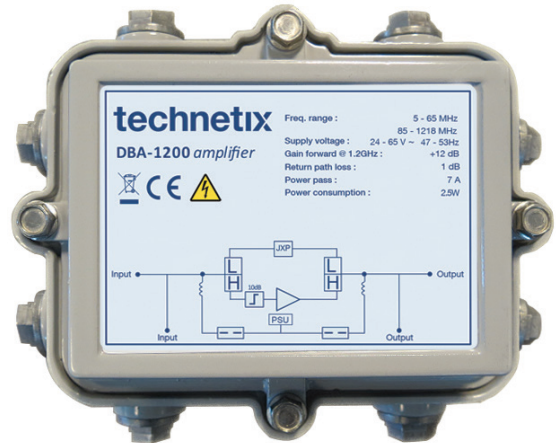


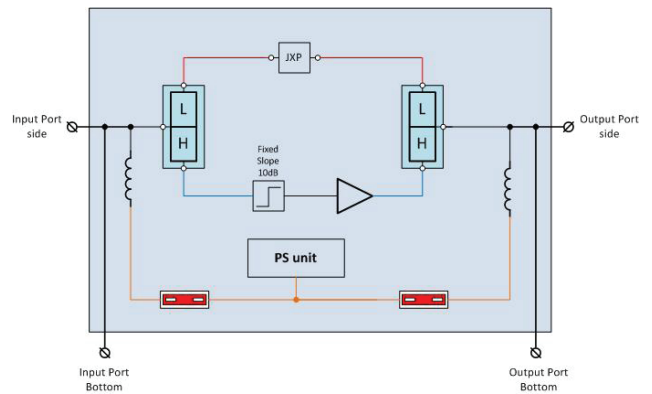
DBA-1200 repeater amplifier

- › 12dB gain 10dB fixed slope
- › Passive return path
- › 65/85 band split
- › Power passing
- › Regal style housing
- › Low power consumption



Specifications

Forward path	
Frequency range	85 - 1218 MHz
Gain at 1.2 GHz	12db +/- 0.5dB
Flatness 85-1218 MHz	+/- 1dB
Noise figure at 1.2 GHz	<8dB
Slope	fixed 10dB
Output level (with 42 CENELEC load):	
CSO	66dB ¹ with 97dBμV @ 1.2GHz / 10dB slope
CTB	70dB ¹ with 97dBμV @ 1.2GHz / 10dB slope
Return loss	>18dB min >13dB ²
Return path	
Frequency range	5-65MHz upgradable to 204MHz by cover replacement (fixed duplex)
Flatness	+/- 1dB (5- 65MHz or 204MHz)
Return loss	>18dB
Gain (passive)	> -2.5dB up to 65MHz (or 204MHz)
General	
Housing dimensions (LxHxD)	132x124x65mm
Weight	500g
Circuits	RF board and PSU loacted in the cover
Voltage range (remote powering)	30-65VAC sine or square
Max current RF ports	7A
HUM modulation	≤ -70 dBc
Power and RF interruption	By removing the cover
Power insertion	Possible at all RF ports
Output fuse	Mini fuse at input and output
Power consumption	2.5W typical
Temperature range (within spec)	40°C to +60°C
Operating temperature range	-40°C to +70°C
Connectors/RF ports	5/8" side and bottom entry / screw connection
Protection class EN60529	IP67
Strand and pedestal mounting	Mounting clamp diameter 0.6-0.9mm
Mounting screw (stainless steel)	10mm hex head
Mounting screw cover	8mm hex head
Central conductor fixing screw	Combined 5mm hex, Cross PH2 head
Non used RF ports (blanking)	13mm hex head



Remarks

	Measurements taken at room temperature
1	Measured at 37dBmV @ 1218MHz / 10dB slope
2	-1.5 dB per octave > 40 MHz

Ordering information

Item Name	DBA-1200
Article number	19008112