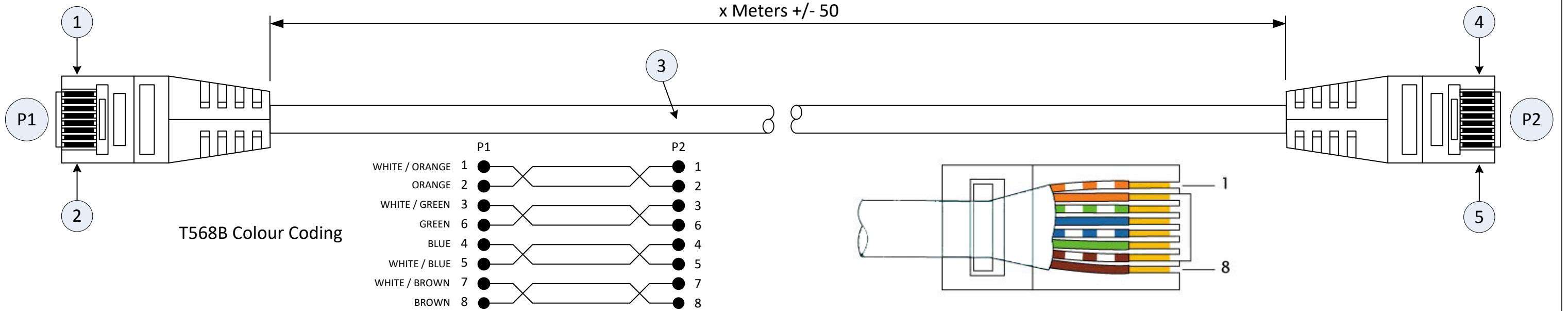
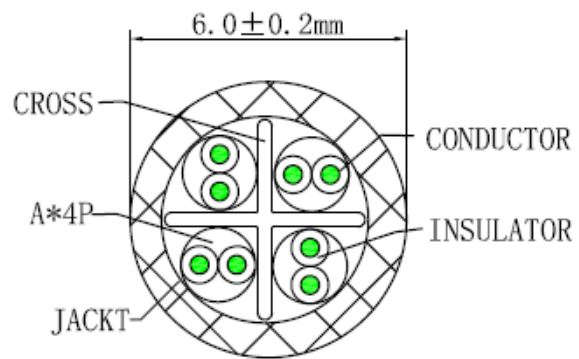


Cable Specification



SECTIONAL DRAWING:



Cable Specification

Type: CAT6 UTP
 Gauge: 24 AWG
 Cable Colour: White
 Jacket: PVC

Cable Printing

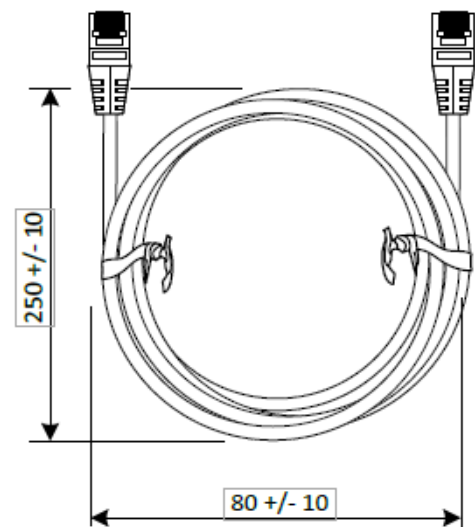
TECHNETIX Patch Lead 4pr UTP CAT6

TECHNETIX Patch Lead 4pr UTP CAT6

Jacket Printing Colour : Black - 600mm repeat

Ref	Description	Spec/Material	Colour	QTY
P1	Connector 1	RJ45 Plug	Clear	1
1	Positions	8 Positions – 8P		
2	Conductors	8 Conductors – 8C, Gold Plated, 50u"		
3	Cable	8*0.20BC. PVC jacket OD: 6.0 +/- 0.2	White	1
P2	Connector 2	RJ45 Plug	Clear	1
4	Positions	8 Positions – 8P		
5	Conductors	8 Conductors – 8C, Gold Plated, 50u"		

Cable Packaging



No Bag

Other Requirements:

- Must meet RoHS and WEEE standards

RoHS+REACH Compliant

Actioned By	Comments	Date	Revision
Mark Knowles	Updated pin wiring diagrams	30/05/18	a

Article Number	xxxxxxx
Short Description	CAT6-UTP-xM
Long Description	CAT6 UTP PATCH CABLE - xM WHITE

Drawn By	MK	Date	30/05/18	Checked By	MK	Dims in mm
----------	----	------	----------	------------	----	------------

technetix